

POLANIK
Poland, Życzliwa 11
97-300 Piotrków Trybunalski

tel. +48 44 646 44 81
tel. +48 44 648 50 89
fax +48 44 646 43 58

e-mail: info@polanik.com
www.polanik.com



TECHNICAL SPECIFICATION **ASSEMBLY MANUAL**

Warehouse starting block rack BR14-SM



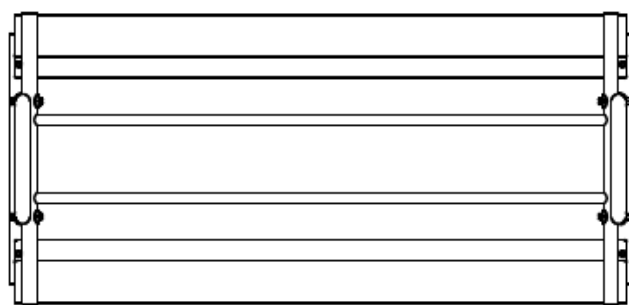
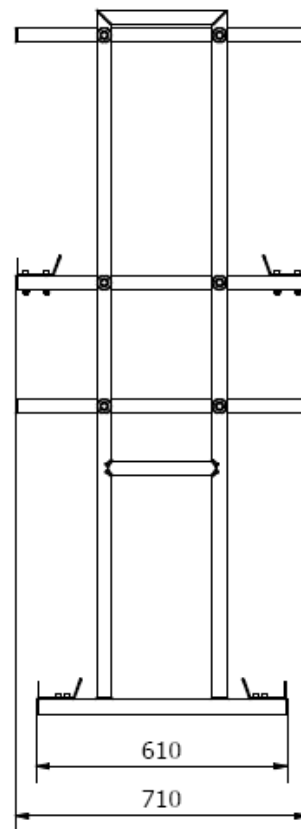
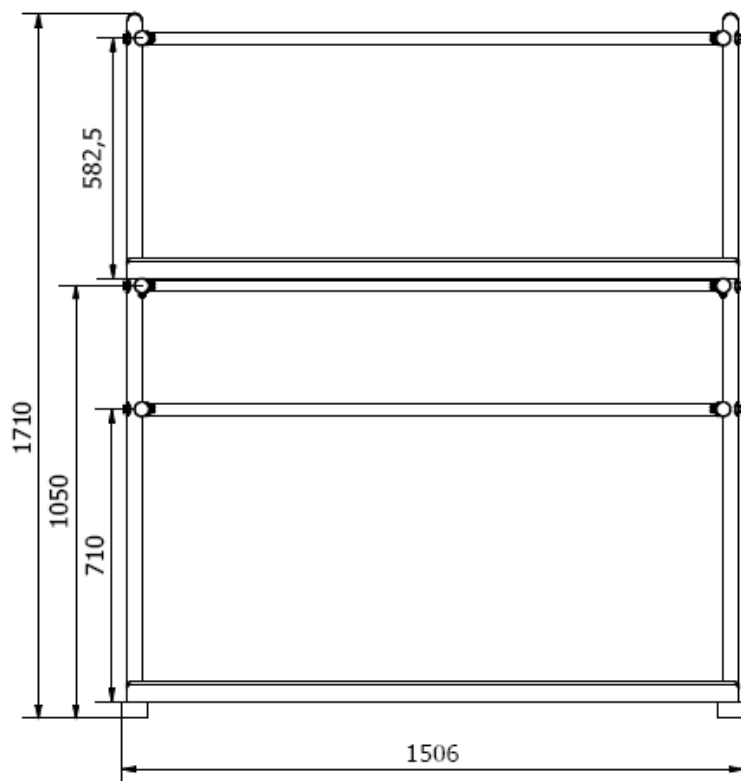
File: 2017-10-19
PRODUCT SUPPORT
Paweł Ciechanowski
p.ciechanowski@polanik.com

I. General description and use

Starting block warehouse rack is designed for storing starting blocks in storage rooms and warehouses. Racks of different capacity are available on request.



II. Technical specification

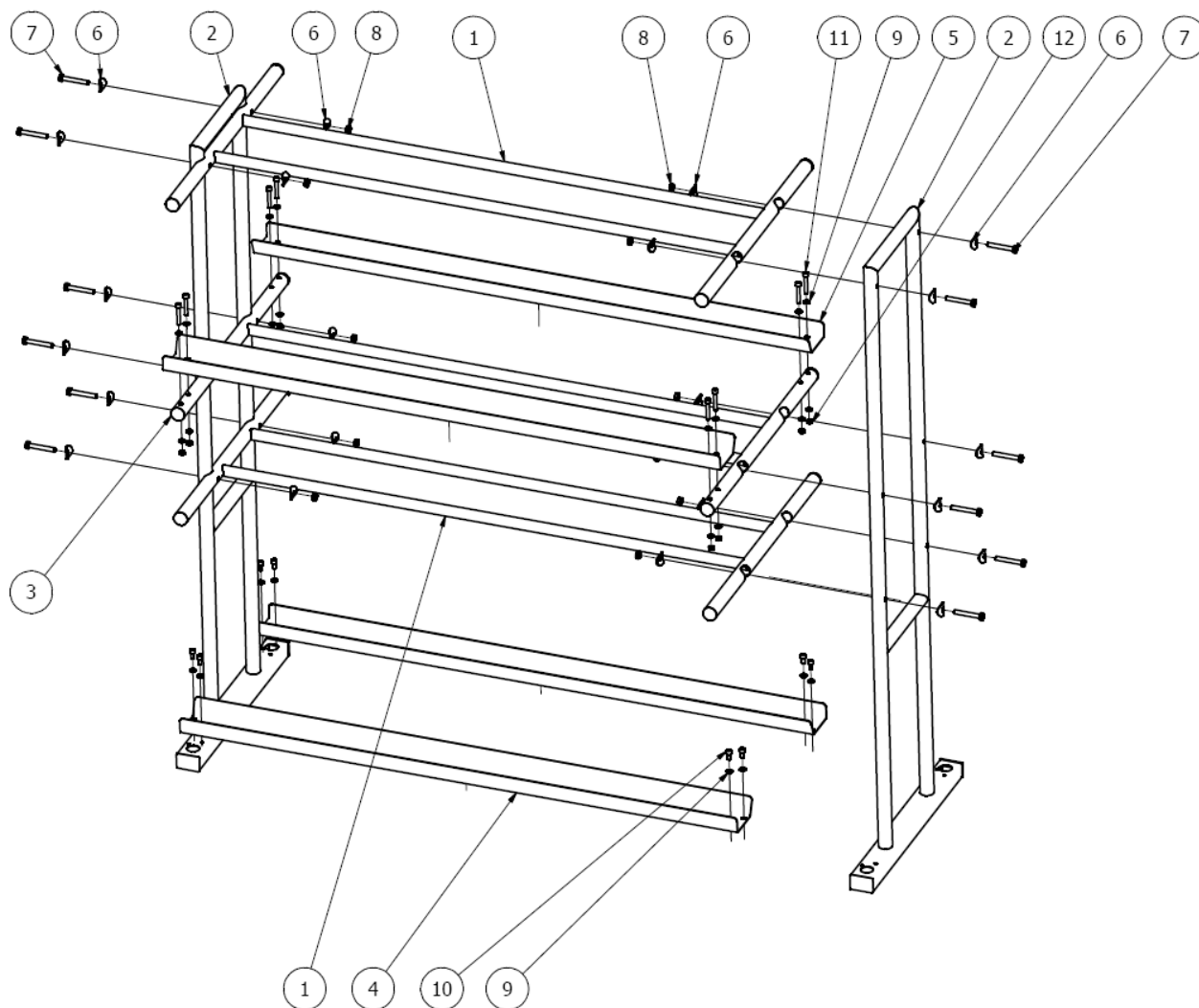


[mm]

Code	Net weight [kg]	Dimensions (assembled) length/width/height [mm]	Material	Model	Capacity min. [pcs]
BR14-SM	43	1506/710/1710	steel powder painted	stationary	16 blocks

III. Assembly

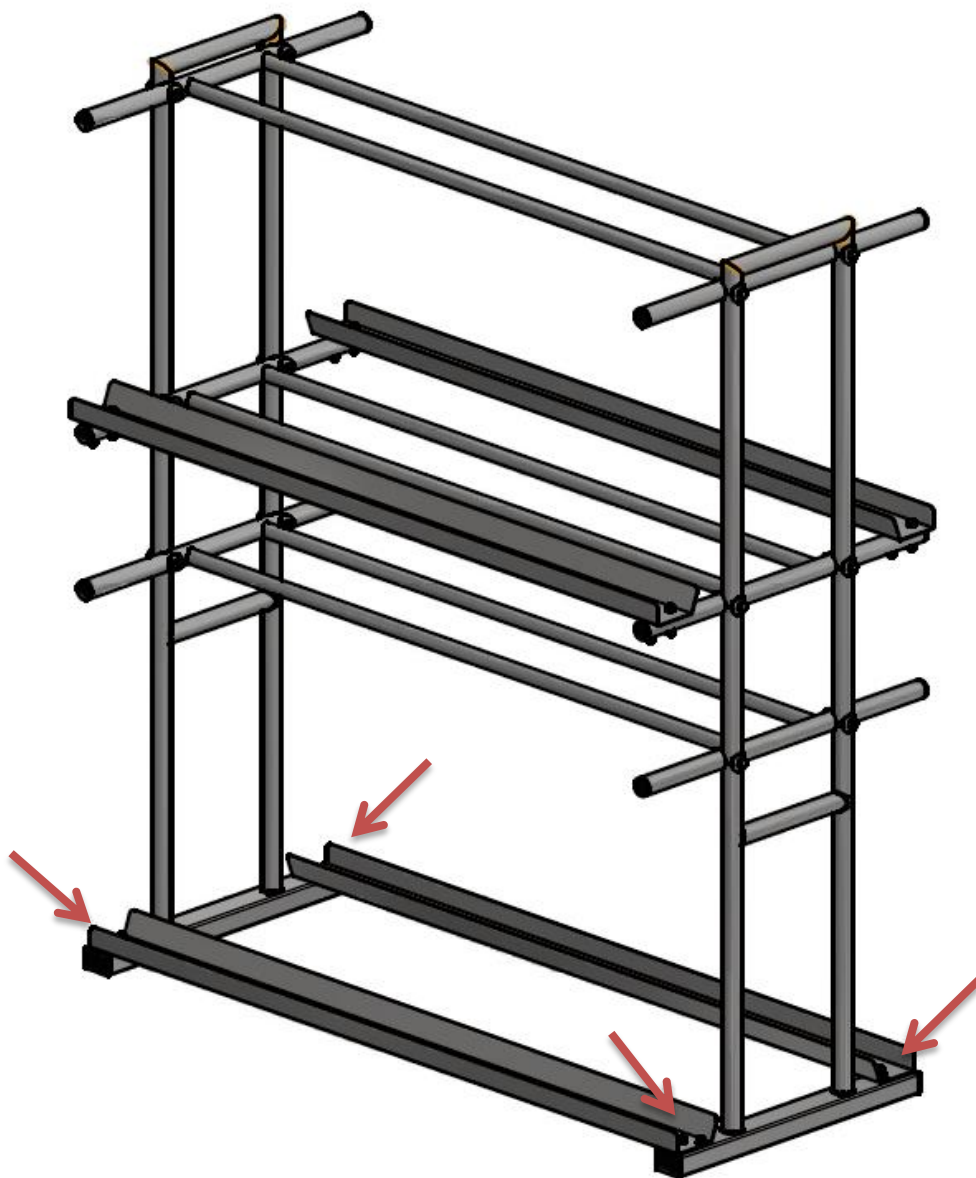
The rack's elements should be screwed in the way the picture below shows.



Item no.	Q-ty pcs	Part code	Description
1	2	S-0471-000-01-00-00	Rack shelf
2	2	S-0471-000-02-00-00	Supporting frame
3	1	S-0471-000-03-00-00	Gutter supporting shelf
4	2	S-0471-000-00-01-01	Bottom gutter
5	2	S-0471-000-00-02-01	Upper gutter
6	24	S-0468-000-00-00-01	Special washer
7	12	DIN 931-1 - M10 x 70	Hex cap screw
8	12	DIN 934 - M10	Nut
9	24	DIN 125 - A 8,4	Washer
10	8	DIN 912 - M8 x 16	Half rounded screw
11	8	DIN 912 - M8 x 50	Half rounded screw
12	8	DIN 934 - M8	Nut

IV. Operation and maintenance

For the safety reason the rack is to be fastened to the floor with expansion anchors (not included in the set) at each corner of the frame.



V. Packing and transport

The rack is delivered in parts, packed on pallet.

The producer reserves the right to introduce without warning changes in product constructions and colours.
© 2017 Polanik

VI. Declaration

1) No. 2017-10-19

2) Issuer's name: POLANIK

Issuer's name: Życzliwa 11, 97-300 Piotrkow Tryb.

3) Object of declaration

No.	Name	Code
1	Warehouse starting block rack	BR14-SM

4) Technical specification described above is in accordance with the factory's internal engineering standard.

Additional Information

5) Declaration for:

Buyer/Distributor/User

Signed for and in behalf of:

POLANIK

2017-10-19 Piotrkow Tryb.
(Date and place of issue)

6) Pawel Ciechanowski
Product Manager

.....
(Name, function)


.....
(Signature or equivalent authorized by the issuer)