

POLANIK  
Poland, Życzliwa 11  
97-300 Piotrków Trybunalski

tel. +48 44 646 44 81  
tel. +48 44 648 50 89  
fax +48 44 646 43 58

e-mail: [info@polanik.com](mailto:info@polanik.com)  
[www.polanik.com](http://www.polanik.com)



## TECHNICAL SPECIFICATION

### Competition pole vault stand

#### STT-65



File: 2016-12-15

PRODUCT SUPPORT  
Pawel Ciechanowski  
[p.ciechanowski@polanik.com](mailto:p.ciechanowski@polanik.com)




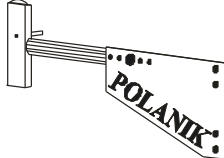
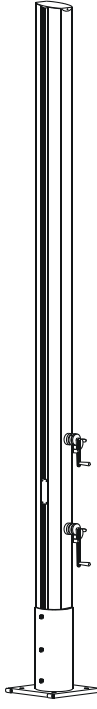
## Contents

Chapter		Page
I.	General description and use	3
II.	Technical specification	4
III.	Operation and maintenance	6
IV.	Packing and transport	6
V.	Certificates	7
VI.	Product images	8

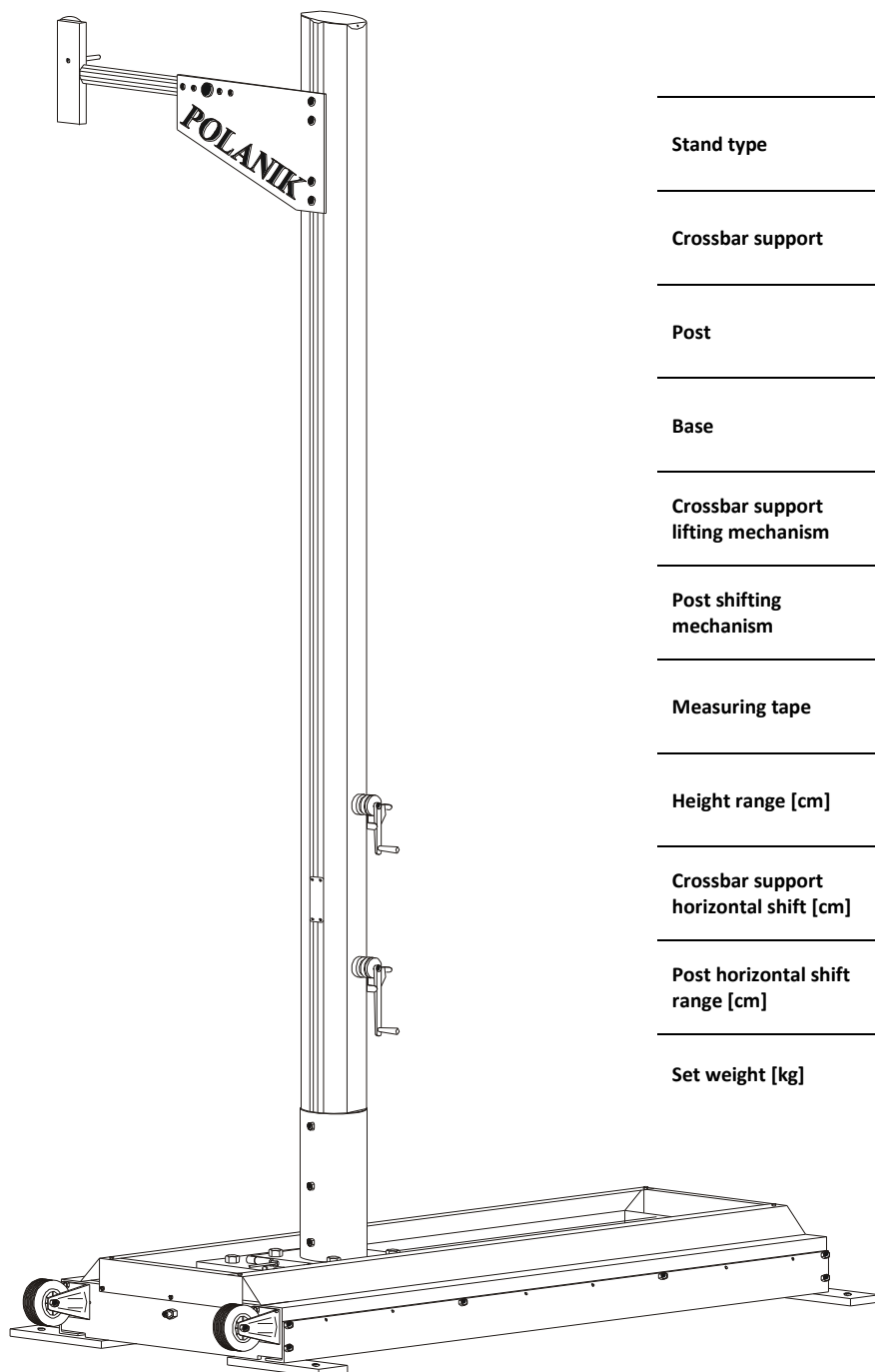


## I. General description and use

STT-65 is a complete set of two pole vault stands which are designed for athletics competitions of pole vaulting. The set includes the following elements:

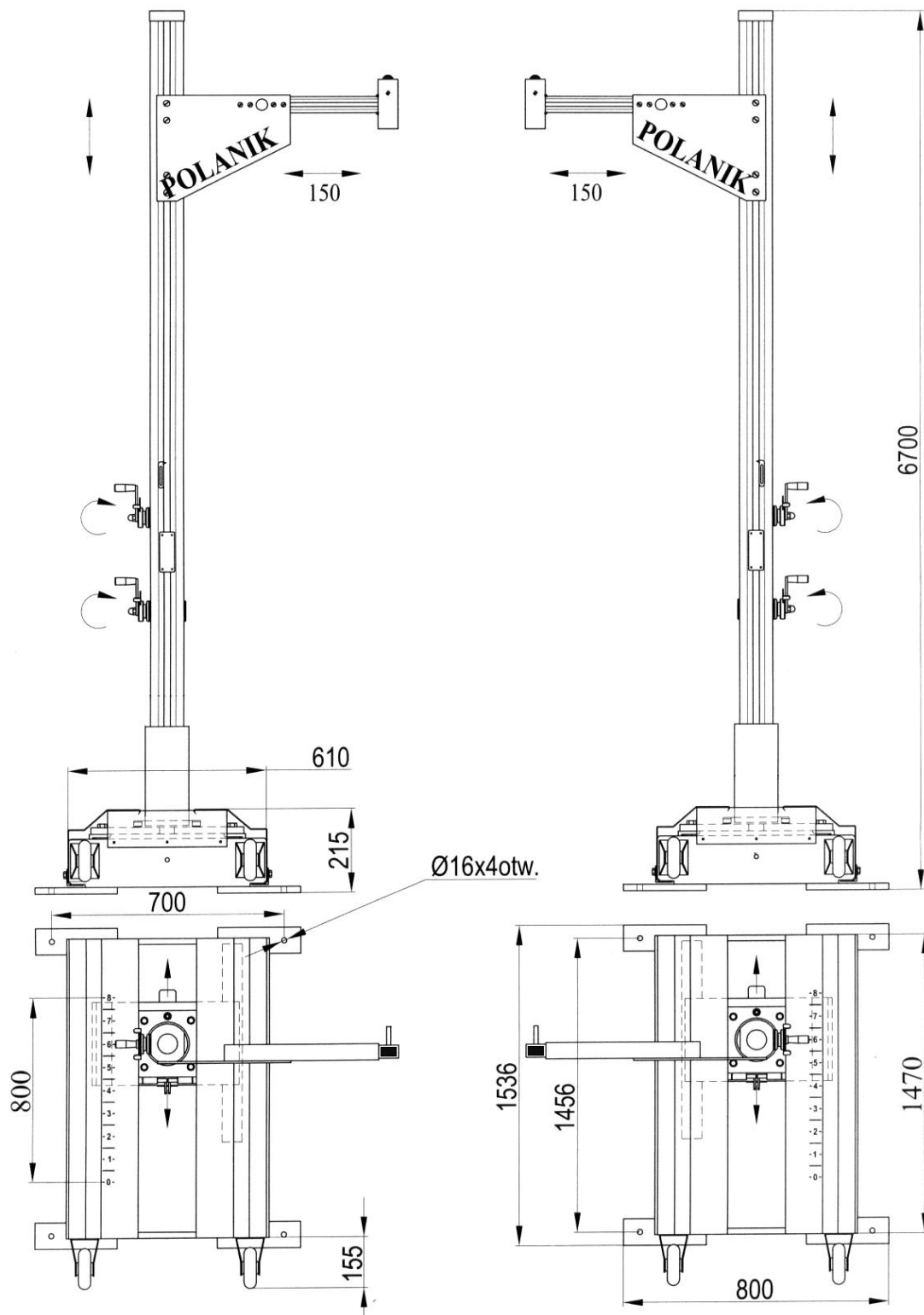
Part/set description	Q-ty Pcs.	Part/set sketch
Base + screw M 20x40 (8 pcs) + washer 20 (8 pcs)	2	
Crossbar support	2	
Post + countersunk hex key screw M 10x40 (8 pcs)	2	

## II. Technical specification



### STT-65

<b>Stand type</b>	IAAF certified, competition
<b>Crossbar support</b>	powder painted aluminium profiles and anodized aluminium sheets
<b>Post</b>	special aluminium profile, detachable
<b>Base</b>	steel galvanized, equipped with wheels, with 4 anchoring holes
<b>Crossbar support lifting mechanism</b>	hand crank with brake, super smooth operation system based on ball bearings
<b>Post shifting mechanism</b>	hand crank with brake, super smooth operation system based on special guide rolls
<b>Measuring tape</b>	installed in C-shaped groove, easily replaceable
<b>Height range [cm]</b>	200 – 650
<b>Crossbar support horizontal shift [cm]</b>	0-15
<b>Post horizontal shift range [cm]</b>	0-80
<b>Set weight [kg]</b>	340



STT-65 dimensions [mm]

### III. Operation and maintenance

The stand bases should be fastened to the ground using the mounting holes. During idle periods the stand posts should be detached. The stand post and the bases ought to be cleaned and stored in a dry roofed place.

### IV. Packing and transport

The set is packed in three cases, their approximate dimensions are:

- 1/3 6,65 x 0,35 x 0,35 [m]
- 2/3 6,65 x 0,35 x 0,35 [m]
- 3/3 1,70 x 0,85 x 0,65 [m]

The gross weight is 340 kg.



## V. Certificates

IAAF Certificate no. E-03-0362

International Association of Athletics Federations



# Product Certificate

*The IAAF is pleased to certify hereby that the following product:*

**Product's Trade Name:** Uprights, Pole Vault, Competition

**Description, Colour / Absolute Thickness:** Aluminium anodised, 2.0m-6.5m, Silver/red

**Company Name, Country:** Polanik Sp. z o. o. - Sp. K., POL

**Catalogue Number:** STT-65

**IAAF Certification Number:** E-03-0362

meets the dimensional requirements for use in all international athletics competitions.

It is for the purchaser to determine the item's fitness for the purpose based on his knowledge of the local conditions and use.

**Valid from:** 1 December 2016

**Until the last day of:** December 2020

This certificate is issued in accordance with the terms and conditions of the IAAF Certification System of track and field facilities, implements and competition equipment.



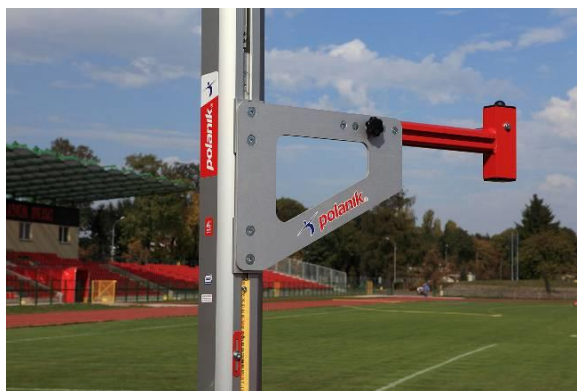
**SEBASTIAN COE**  
IAAF President



**JORGE SALCEDO**  
IAAF Technical Committee Chairman



## VI. Product images



**STT-65 © 2016 Polanik**

The producer reserves the right to introduce without warning changes in product constructions and colours.