

POLANIK
Poland, Życzliwa 11
97-300 Piotrków Trybunalski

tel. +48 44 646 44 81
tel. +48 44 648 50 89
fax +48 44 646 43 58

e-mail: info@polanik.com
www.polanik.com



INSTRUCTION MANUAL

Polanik Professional competition foldable pole vault stand with electronic readout

STT15-65F



File: 2015-10-05
PRODUCT SUPPORT
Pawel Ciechanowski
p.ciechanowski@polanik.com



Thank you for choosing Polanik competition pole vault stand.



BEFORE YOU START TO ASSEMBLE THE STANDS PLEASE READ THIS MANUAL CAREFULLY. THE PRODUCER SHALL NOT BE LIABLE FOR ANY DAMAGES WHICH ARE THE RESULTS OF THE FAILURE TO FOLLOW THIS ASSEMBLY MANUAL.

The stands come with the electronic counters which are programmed and calibrated at our factory. The counter is always on. The battery life is min. 5 years. The keypad is blocked to protect factory settings against any accidental alternation. If the settings of the counter are erased please contact us before using the stands.

Contents

Chapters	Page
I. Characteristics of the pole vault stand STT15-65F	3
II. Technical specification	4
III. Parts list (sets)	5
IV. General assembly description	6
V. Assembly	7
VI. Operation	12
VII. Remarks on maintenance and operating the stands	13
VIII. Technical drawings	14
IX. Product images	16
X. IAAF Certificate	20

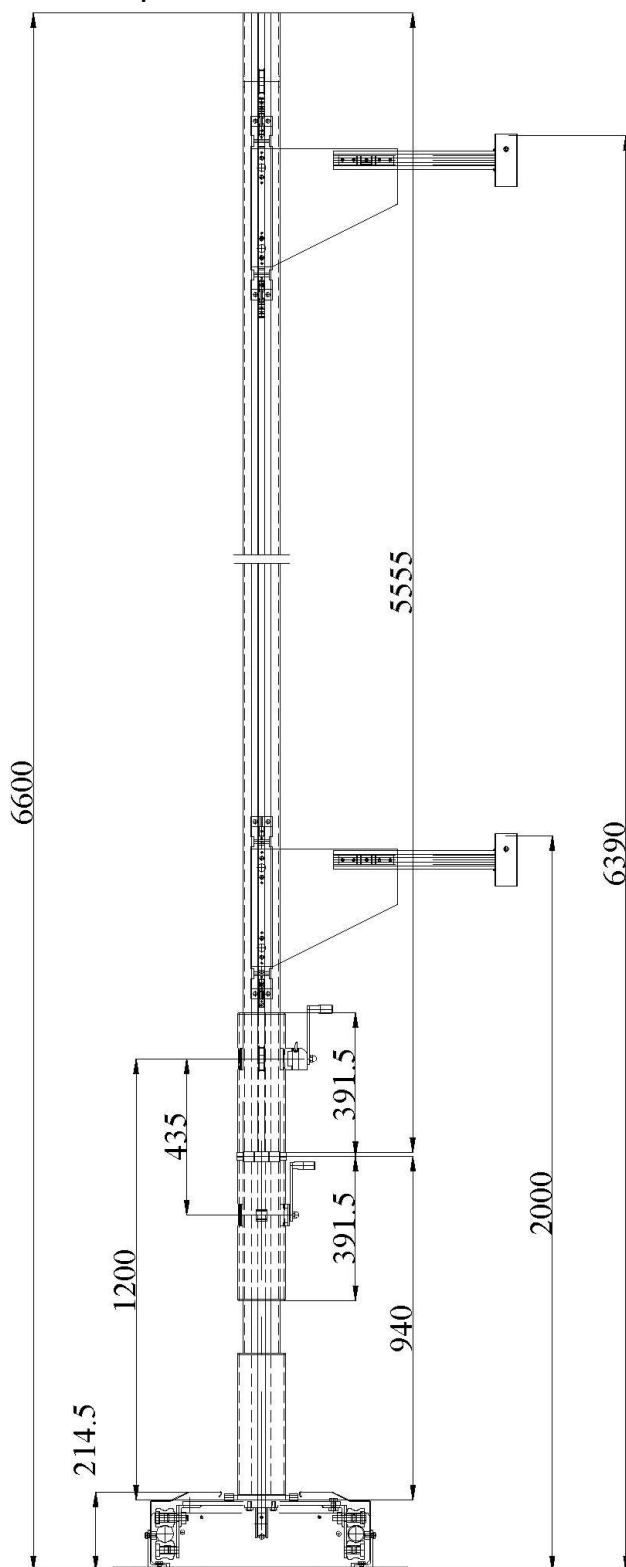
I. Characteristics of the pole vault stand STT15-65F

The key features of the stand are as follows:

1. Innovative construction:
 - **Implementation of electronic height indicator begins a new era of constructing PV standards, original Polanik solution has removed a traditional measuring tape, hermetic indicator casing with stainless steel hub installed on crank, resistant to high temperature and humidity, resistant to UV radiation and chemical agents, equipped with brake, battery life min. 5 years.**
 - Uprights are equipped with simple and reliable system of folding posts above landing area surface, when blocking bolts are removed posts are put on landing area and whole facility is secured with garage.
 - Inventive and patented lifting mechanisms of the crossbar support and sliding mechanism of the post.
 - Stand posts are made of specially designed anodised aluminium profiles.
2. High durability:
 - All stand parts are manufactured from long-lasting materials like aluminium, stainless steel and plastic.
3. High quality:
 - STT15-65F complies with the international quality standards what is confirmed by the certificate of the International Association of the Athletics Federations (IAAF).
4. Easy operating:
 - Stand can be assembled and disassembled quickly. Assembly (or disassembly) takes approximately 40 minutes done by 2 people.
 - Crossbar lifting mechanism and post sliding mechanism work very quietly and smoothly.
 - Wheels installed in the bases help significantly to move the stands to desired positions

We deliver the stand set in 3 partially assembled units: base, post and crossbar support. They should be put together according to this manual.

II. Technical specification

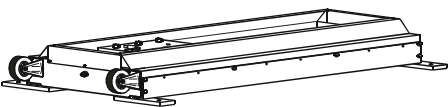
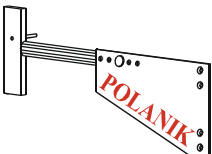
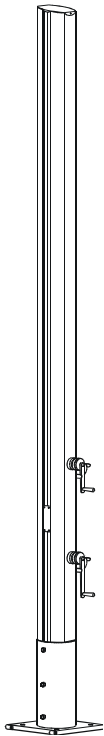


Code	STT15-65F
Stand type	IAAF certified, competition foldable Polanik Professional
Crossbar support	powder painted aluminium profiles and anodized aluminium sheets, adjustable length
Post	special aluminium profile, foldable and detachable
Base	steel galvanized, equipped with wheels, with 4 anchoring holes
Crossbar support lifting mechanism	hand crank with brake, super smooth operation system based on ball bearings
Post shifting mechanism	hand crank, super smooth operation system based on special guide rolls
Height readout	in [cm], electronic counter, hermetic indicator casing with stainless steel hub installed on crank, resistant to high temperature and humidity, resistant to UV radiation and chemical agents, battery life min. 5 years
Height range [cm]	200 – 639
Crossbar support horizontal shift [cm]	0-15
Post horizontal shift range [cm]	0-80
Folded stand height [mm]	1320
Set weight [kg]	340

[mm]



III. Parts list (sets)

Item	Part/set description	Q-ty Pcs.	Draw. no.	Part/set sketch
1	Base + screw M 20x40 (8 pcs) + washer 20 (8 pcs)	2	1, 2	
2	Crossbar support	2	1, 2	
3	Foldable post + countersunk hex key screw M 10x40 (8 pcs)	2	1, 2	

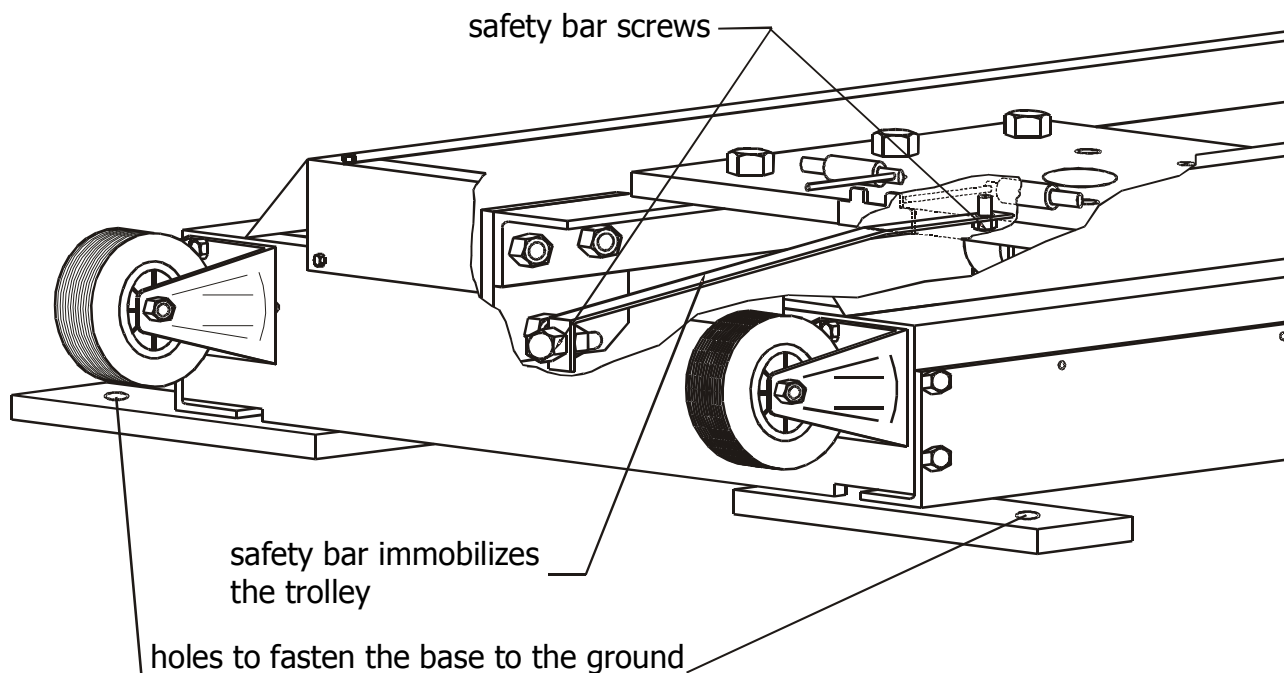
IV. General assembly description

STT15-65F is delivered in three partially assembled units. The set contains two bases (item 1, draw. no. 1 and 2), two posts (item 3, draw. no. 1 and 2) and two crossbar supports (item 2, draw. no. 1 and 2) – left and right.

You should gather the following tools before you start to assemble the stands:

- metric hex key no. 6 and 8
- metric flat wrench no. 13
- metric flat wrench no. 19
- metric flat wrench no. 30

We recommend that the assembly process would take place at the target location because it is easier to move separate stand parts than the whole structure. The trolleys in the bases are secured from uncontrolled movements by means of special safety bars while the set is transported. The safety bar should remain fastened until the post is screwed down to the trolley of the base. After that stage has been completed you have to remove the safety bar because one of the cog belt ends is to be mounted there.

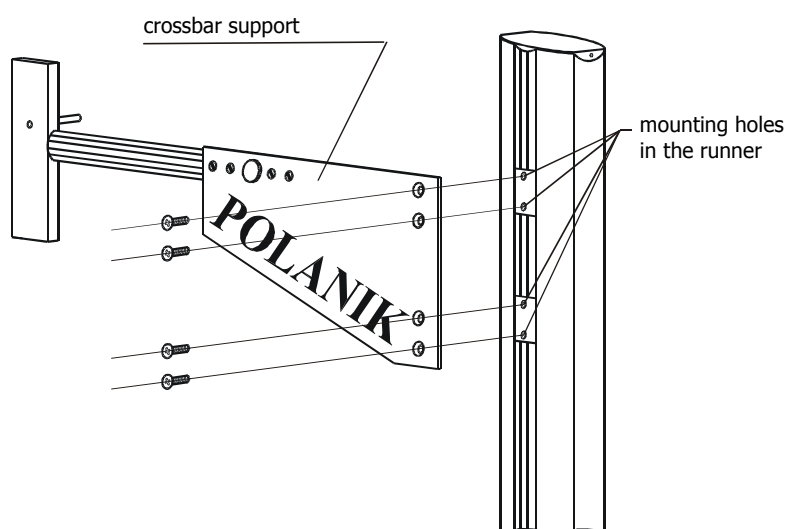


V. Assembly

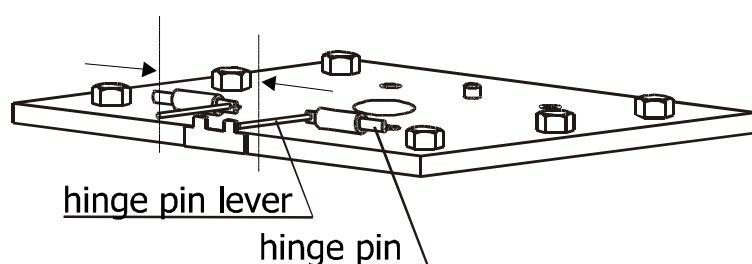


WARNING: failure to follow the sequence of these assembly operations could result in serious accident or damages to the construction.

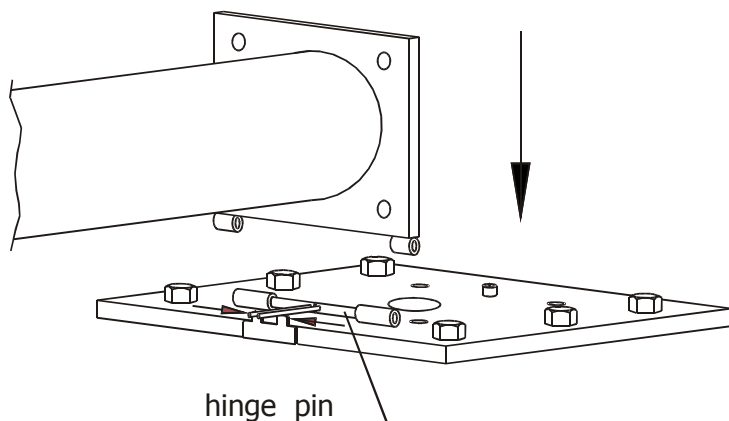
Place one base on the left side and the other base on the right side of the landing area according to the IAAF rules. The position marked "0" on the bases should be lined up with the shortest edge of the pole vault box – see draw. no. 1 on page 15.



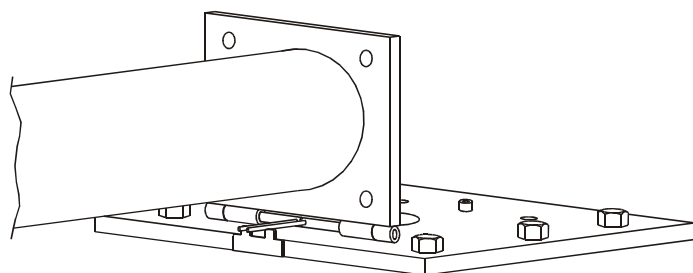
Next screw down crossbar supports to the posts while they are resting on the ground. Use 4 countersunk screws for each support. The screws are temporarily mounted in the runners of the posts.



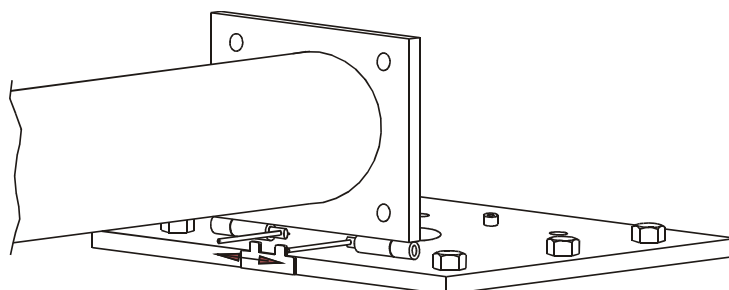
After that the post is ready to be installed on the base trolley. Unscrew screws M20x40 (4 pcs) and remove washers 20 (4 pcs). Press hinge pin levers according to the arrows.



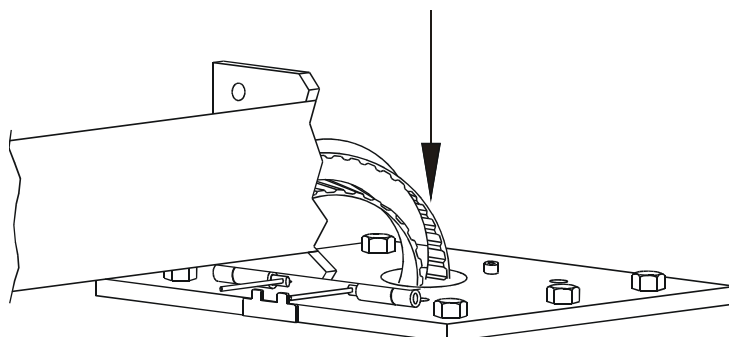
Position stand post foot over the hinge.



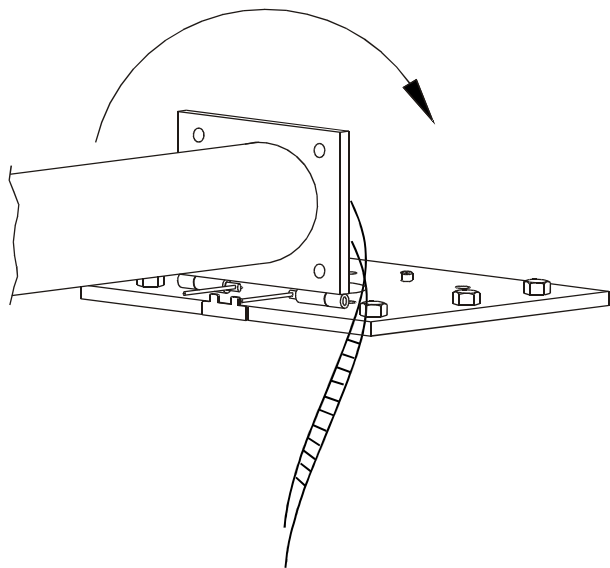
Put stand post foot into the hinge.



Release hinge pin levers, which spring back automatically to their working positions and connect post foot with base trolley. That pivotal joint is used to put posts in the upright position.

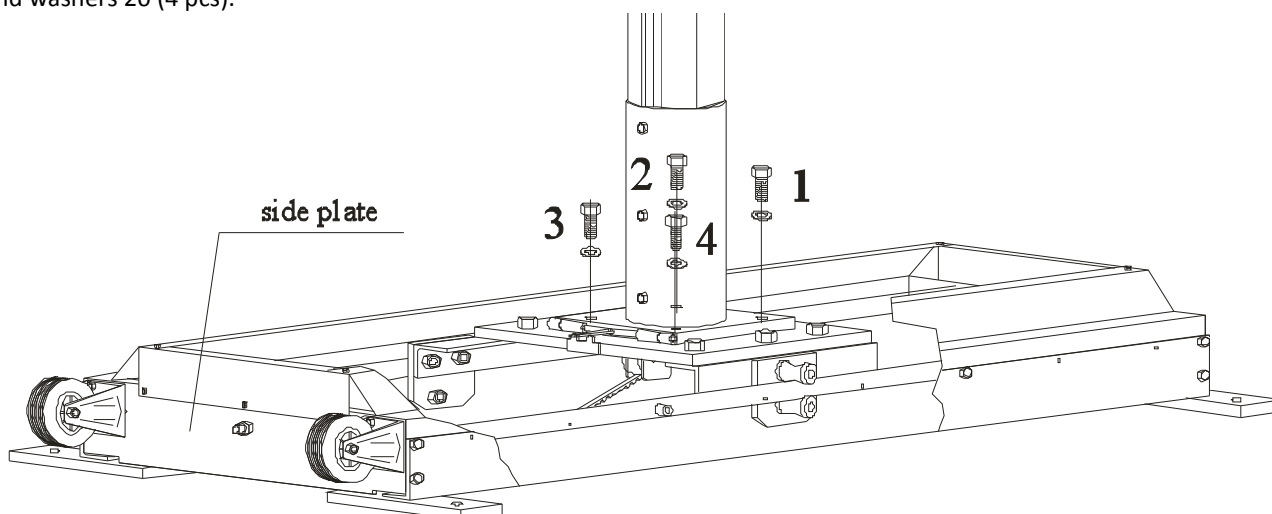


Pull out the cog belt ends from post profile and thread them through the hole in base trolley

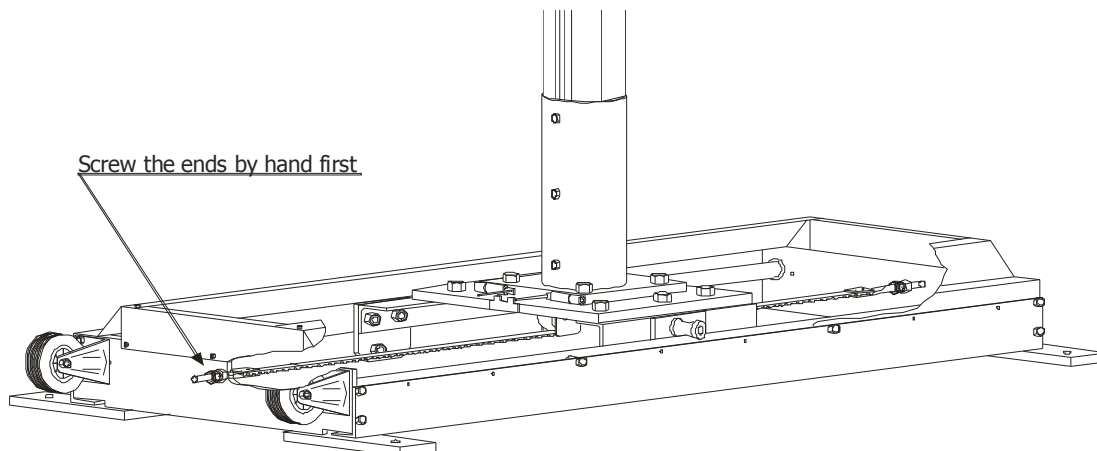


While holding the cog belt ends under the trolley plate, lift post to the upright position.

Next, whilst one person is holding post, the other person is screwing post to trolley plate with screws M20x40 (4 pcs) and washers 20 (4 pcs).

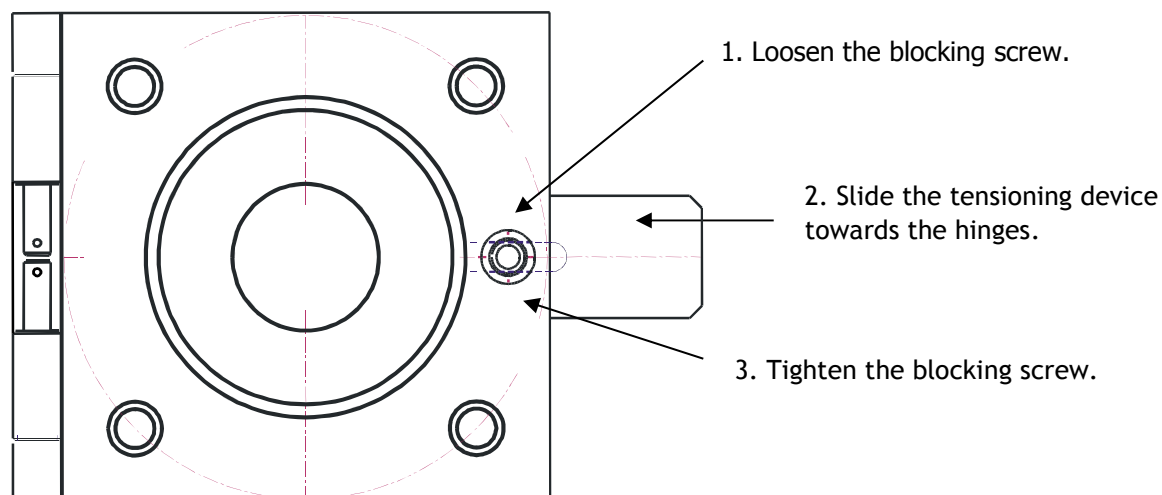


Screw down the screws which are opposite the trolley hinge first. Next remove safety. **Safety bar should be kept for further use – it makes the disassembly process and transport of STT15-65F easy and safe.** Now install the cog belt ends. One end should be screwed to the base side plate where safety bar has been mounted and the other one ought to be fastened to the opposite side. Both ends must be screwed temporarily – only by hand.



Make preliminary tensioning with tensioning device (see image below).

Base trolley – top view

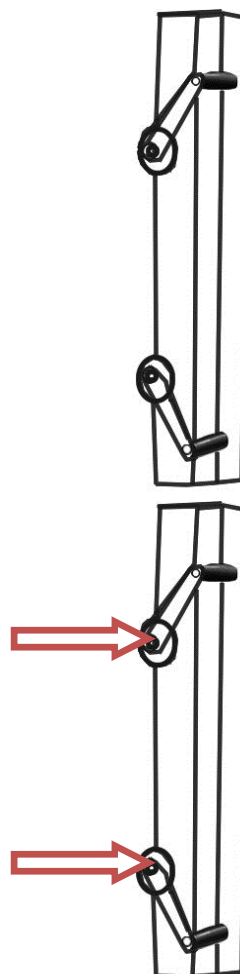


Now tighten the nuts (you have screwed temporarily in base side plates, shown on page 8) with wrench. Correctly tensed cog belt should deflect no more than 2 cm approx. when pressed with index finger. Cog belt tensioning should be done scrupulously. If cog belt is too loose, it may slip on toothed wheels in post sliding mechanism. On the other hand, when cog belt is too tense, it may cause too high resistance and load of sliding mechanism.

Please note that the cranks of the mechanisms are specially secured for transport. They need to be fastened in the opposite way before use.

Unscrew the nuts and take off the cranks.

Then reinstall them with their handles outside as shown.


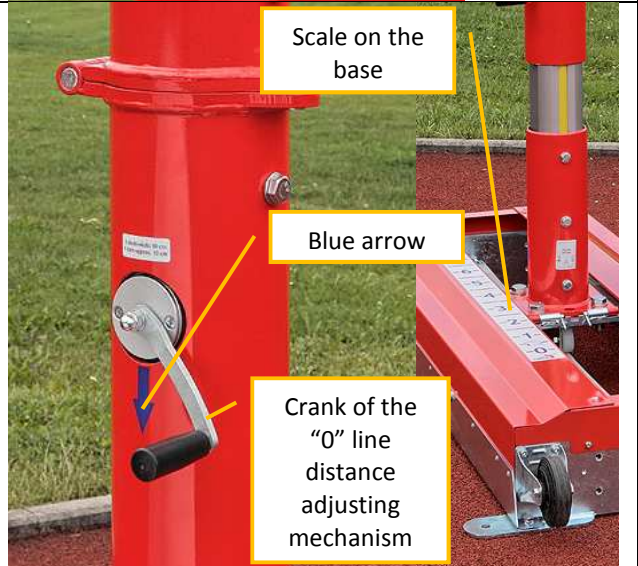


VI. Operation



Attention!

The stands come with the electronic counters which are programmed and calibrated at our factory. The counter is always on. The battery life is min. 5 years. The keypad is blocked to protect factory settings against any accidental alternation. If the settings of the counter are erased please contact us before using the stands.

<p>Adjusting the height</p>	<ol style="list-style-type: none"> 1. Turn the brake handle counter clockwise to release the brake. 2. Turn the crank clockwise or counter clockwise until a desired height is visible on the electronic counter. 3. Turn the brake handle clockwise to block the brake until you feel resistance, do not use excessive force. 	 <p>Electronic counter displays actual height in [cm] at which the upper edge of the crossbar is positioned.</p> <p>Brake handle</p> <p>Crank of height adjustment mechanism</p>
<p>Adjusting the distance from "0" line</p>	<p>Turn the crank clockwise or counter clockwise until the blue arrow points a desired distance from "0" line on the scale installed on the stand base.</p>	 <p>Scale on the base</p> <p>Blue arrow</p> <p>Crank of the "0" line distance adjusting mechanism</p>

<p>Folding the post</p>	<ol style="list-style-type: none">1. Slide the post horizontally to its extreme position on the base (to "0").2. While one person is holding the upper part of the post, the other uses the included hex key to unscrew the bolt.3. Next two people carefully lower the upper part of the post and put it on the landing area.	
-------------------------	--	--

VIII. Remarks on maintenance and operating the stands

As the producer we have done our best to make pole vault stands guarantee maximum safety level, be easily operated and reliable in use. However the stands like any other pieces of sports equipment requires periodical inspections and must be used according to the instruction manual, the IAAF rules and operated by authorized personnel. Basic rules to remember:

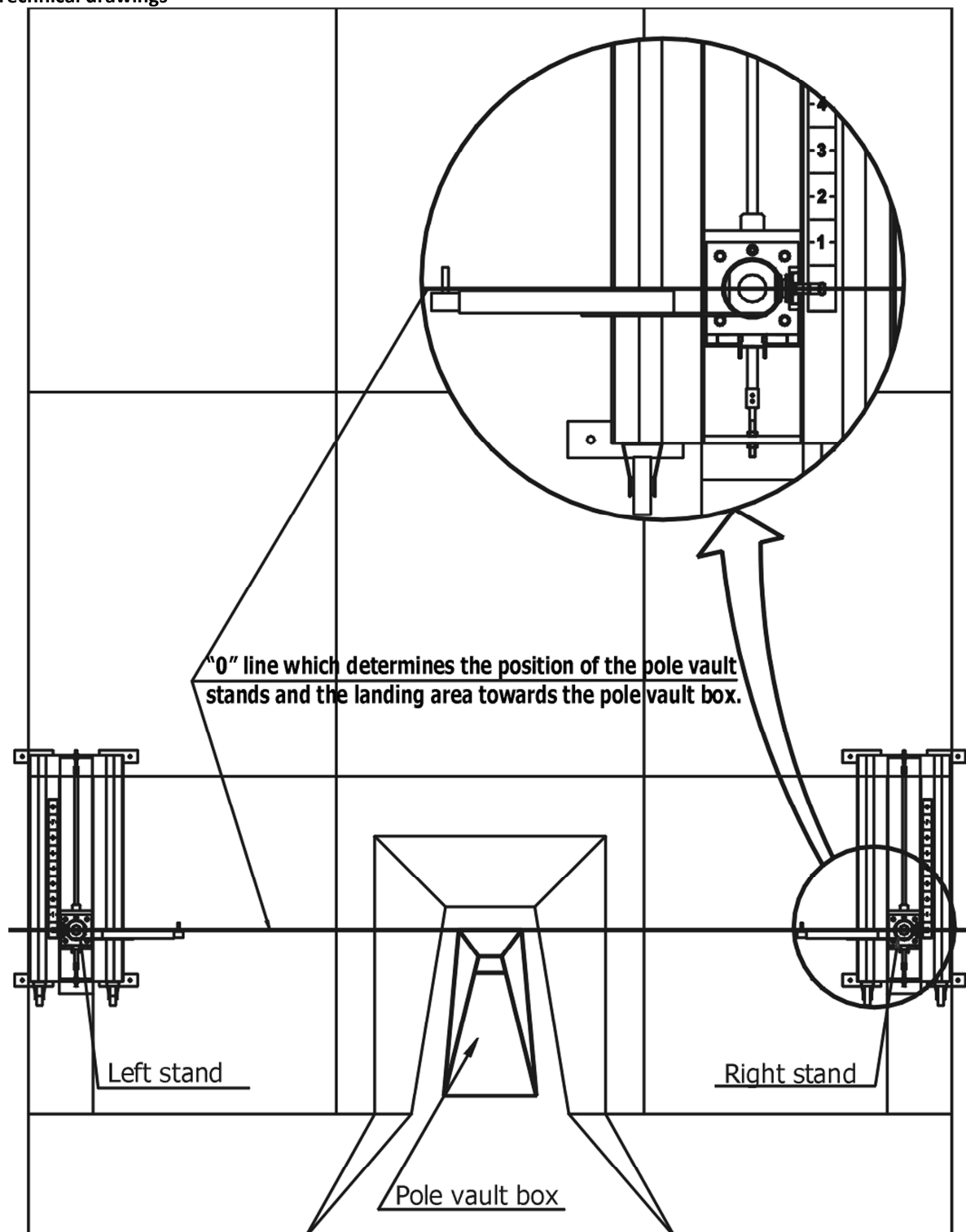
- After assembly and positioning stage the stands should be fastened to the ground, use the mounting holes shown on page 5. The omission of that operation could cause stands overturn and result in serious accident or damages.
- Base wheels should be only used to transport stands on level surfaces and within short distance.
- You should unscrew posts from bases and secure base trolleys with safety bars to transport the stands for long distance.
- While lifting crossbar support or sliding post on base by means of crank mechanisms make sure to slow down before reaching extreme positions. That allows you to avoid "banging" which can result in excessive load of the mechanisms.

To keep the stands in good condition, the following maintenance operations and periodical inspections should be executed after every athletic season:

- During longer idle periods the stands must be stored in a dry, roofed place or must be folded and cover with garage.
- Adjust cog belt tension if necessary.

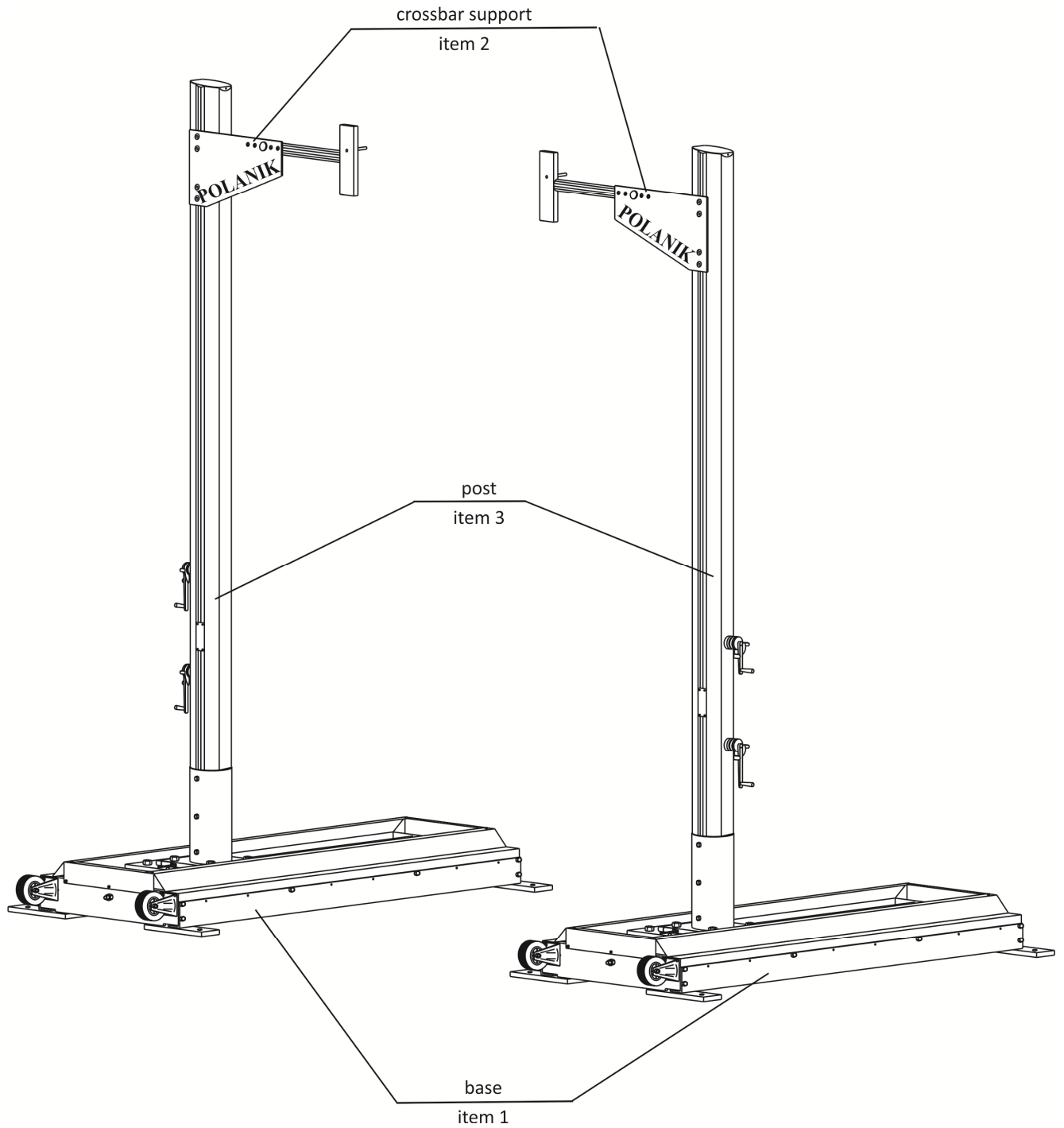
Even the best technical solutions cannot substitute for common sense. Pole vaulting should be taken place under the supervision of qualified trainers. The producer shall not be liable for any incidents caused by improper stands assembly or their misuse.

IX. Technical drawings



Drawing no. 1

Positioning the stands and the landing area towards the pole vault box



Drawing no. 2
Assembled stands (left and right)

POLANIK
Poland, Życzliwa 11
97-300 Piotrków Trybunalski

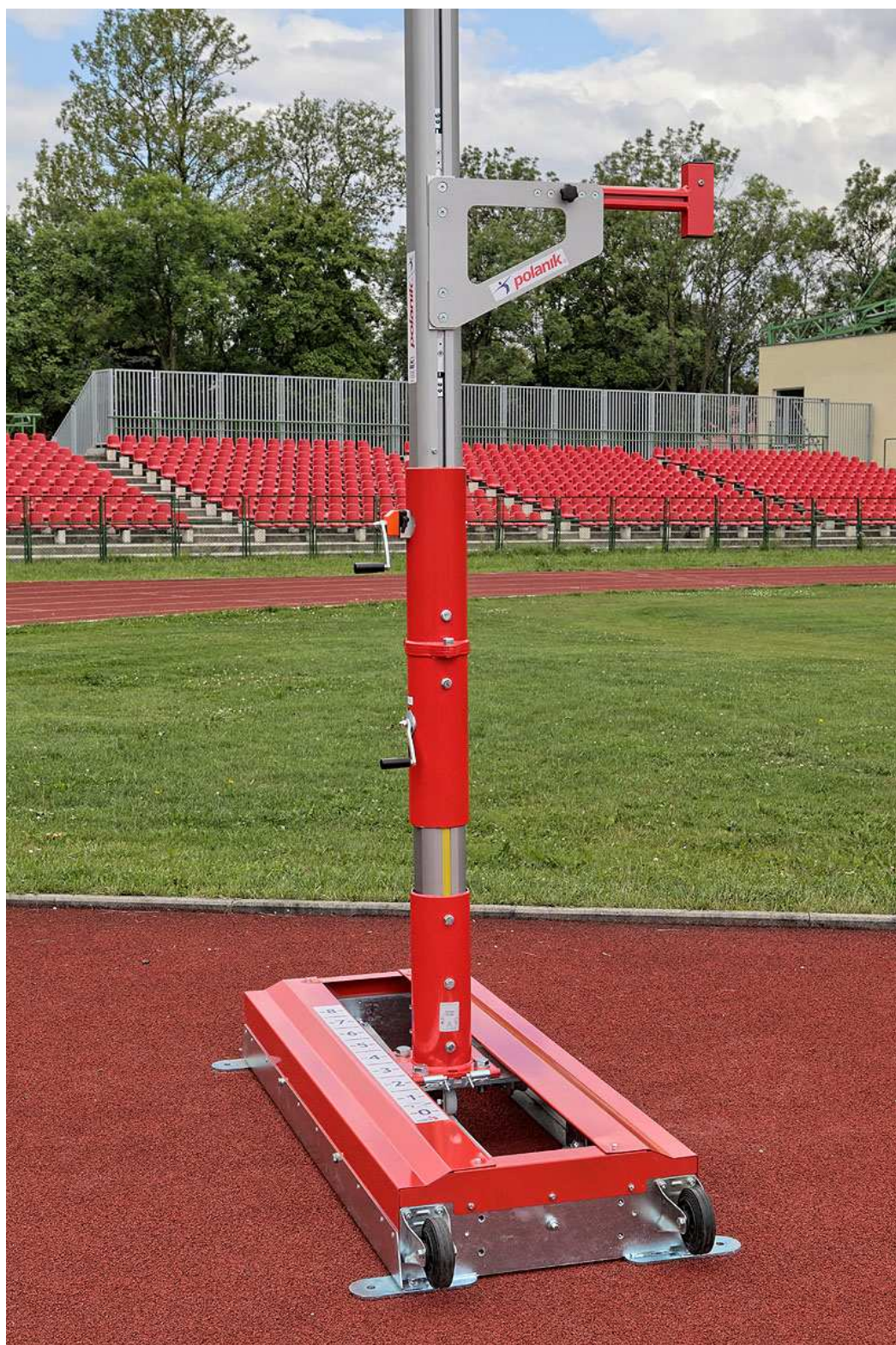
tel. +48 44 646 44 81
tel. +48 44 648 50 89
fax +48 44 646 43 58

e-mail: info@polanik.com
www.polanik.com



X. Product images







POLANIK
Poland, Życzliwa 11
97-300 Piotrków Trybunalski

tel. +48 44 646 44 81
tel. +48 44 648 50 89
fax +48 44 646 43 58

e-mail: info@polanik.com
www.polanik.com



XI. IAAF Certificate

International Association of Athletics Federations



Product Certificate

The IAAF is pleased to certify hereby that the following product:

Product's Trade Name:
Uprights, Pole Vault, Professional Competition, foldable

Description, Colour / Absolute Thickness:
Aluminium, mechanical with electronic readout, Silver/red

Company Name, Country:
Polanik Sp. z o. o. - Sp. K., POL

Catalogue Number:
STT15-65F

IAAF Certification Number:
E-15-0843

meets the dimensional requirements for use in all international athletics competitions.

It is for the purchaser to determine the item's fitness for the purpose based on his knowledge of the local conditions and use.

Valid from: 1 September 2015

Until the last day of: September 2019

This certificate is issued in accordance with the terms and conditions of the IAAF Certification System of track and field facilities, implements and competition equipment.



ESSAR GABRIEL
IAAF General Secretary



JORGE SALCEDO
IAAF Technical Committee Chairman

